



VelowUp!

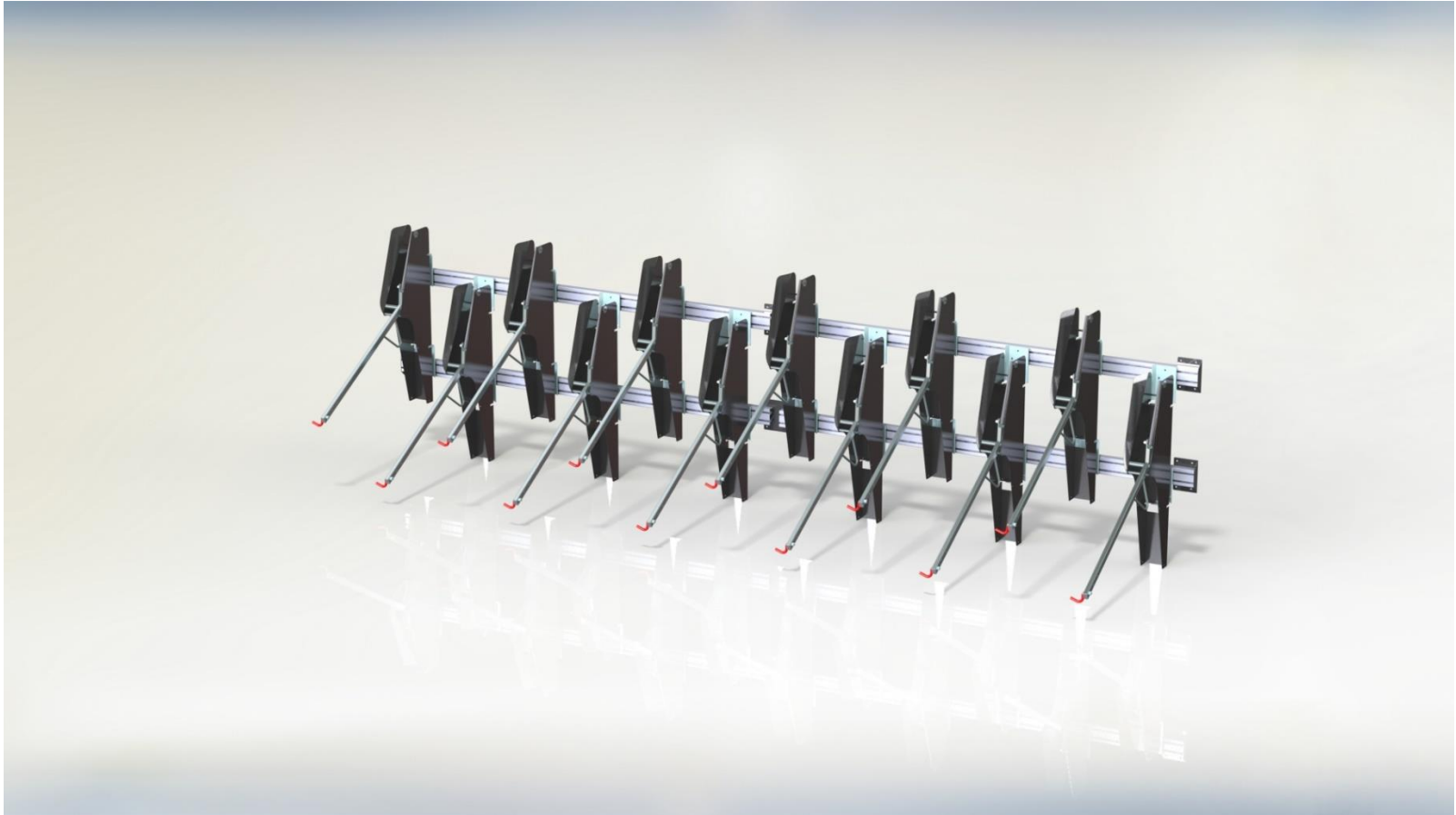
Smart Bicycle Parking

Manual Aluminium Profile System

*Installation
- Wall -*

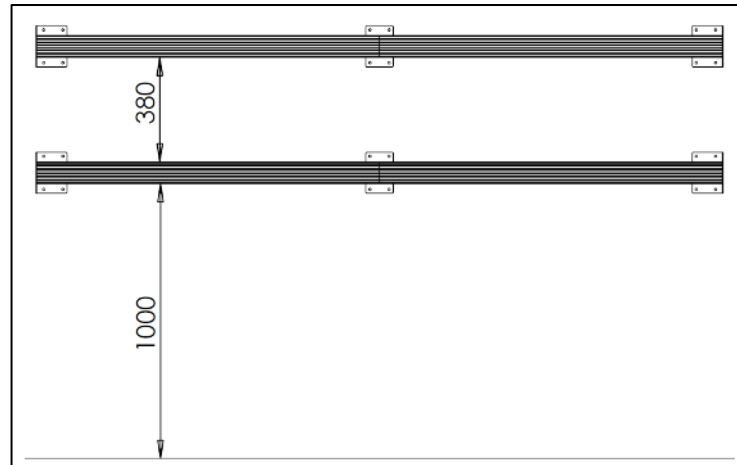
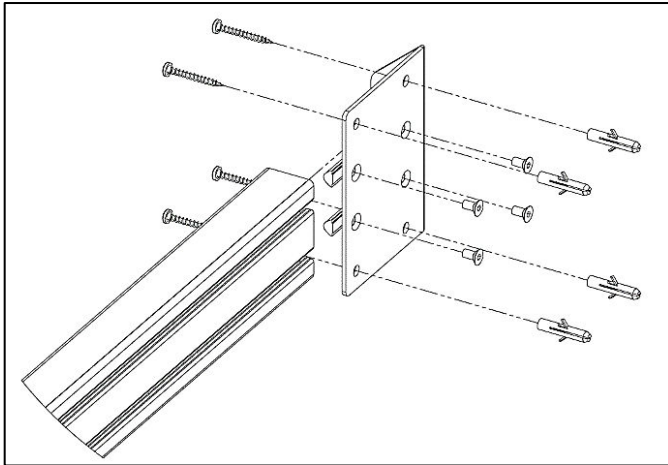
VelowUp![®]

Smart Bicycle Parking



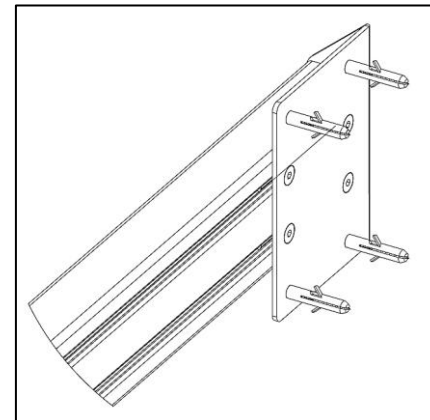
Wall

Wall installation

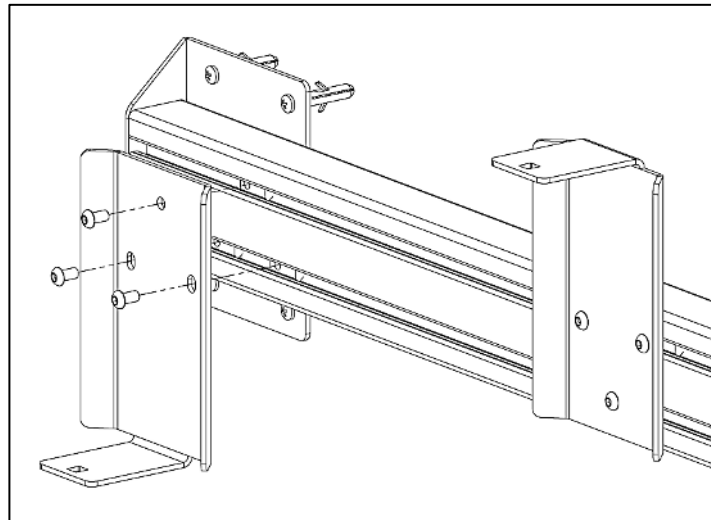


Horizontal aluminium bars

- Step 1. Place t-nuts into profile channels (4x t-nuts per mounting plate).
- Step 2. Connect mounting plates to profile with bolts.
- Step 3. Hold profile against wall and mark holes.
- Step 4. Drill holes into wall.
- Step 5. Insert plugs and screws into wall through mounting plates.



Installation VelowUp![®] Aluminium Profile System



Step 1. Place t-nuts into aluminium profile channels (3x t-nuts per mounting plate)

Step 2. Connect mounting plates to profile with bolts

In case the VelowUp![®]'s are installed high/low, position mounting plates alternately upwards and downwards (see above picture)