



VelowUp!

Smart Bicycle Parking

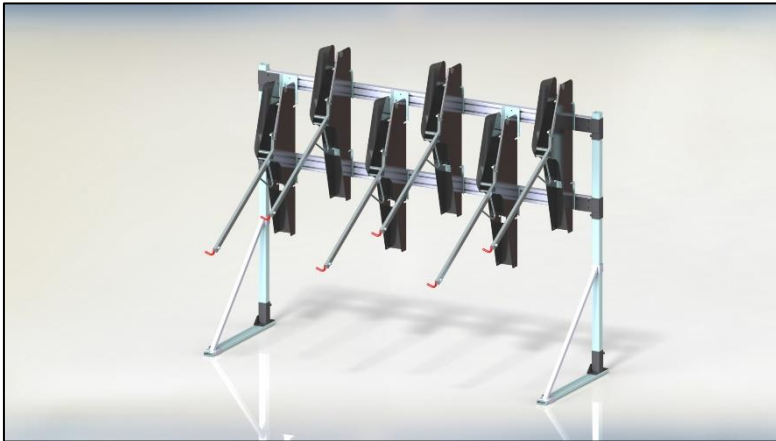
Manual Aluminium Profile System

Installation

- Rack -

VelowUp![®]

Smart Bicycle Parking

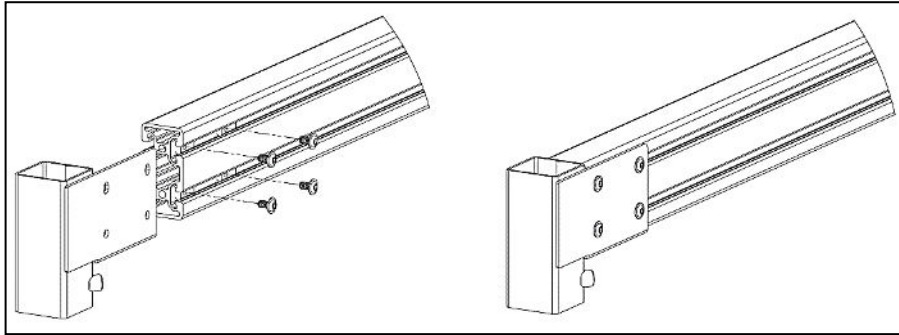


Rack - Single-sided



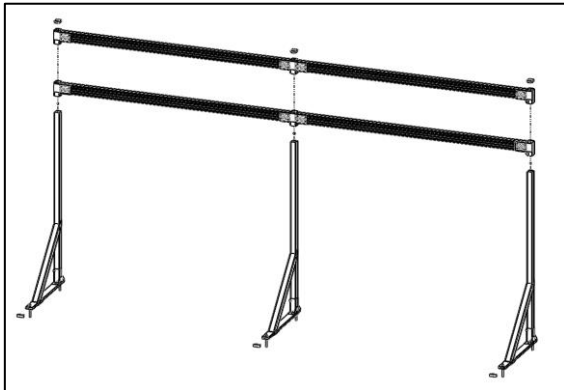
Rack - Double-sided

Rack installation



Horizontal aluminium bars

- Step 1. Place t-nuts into profile channels (4x t-nuts per mounting plate).
- Step 2. Connect mounting plates to profile with bolts.

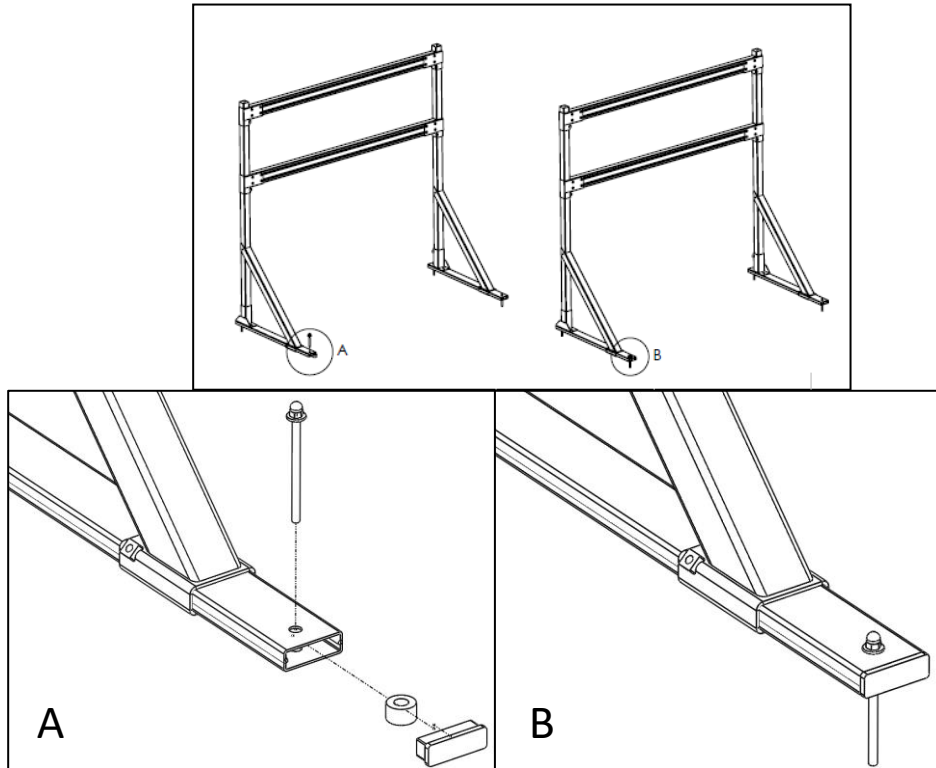


Composition rack

- Step 1. Connect uprights through aluminum profile by sliding the mounting plates over the uprights.
- Step 2. Position aluminium profiles at the right height by tightening the mounting plates to the uprights.

VelowUp![®]

Smart Bicycle Parking



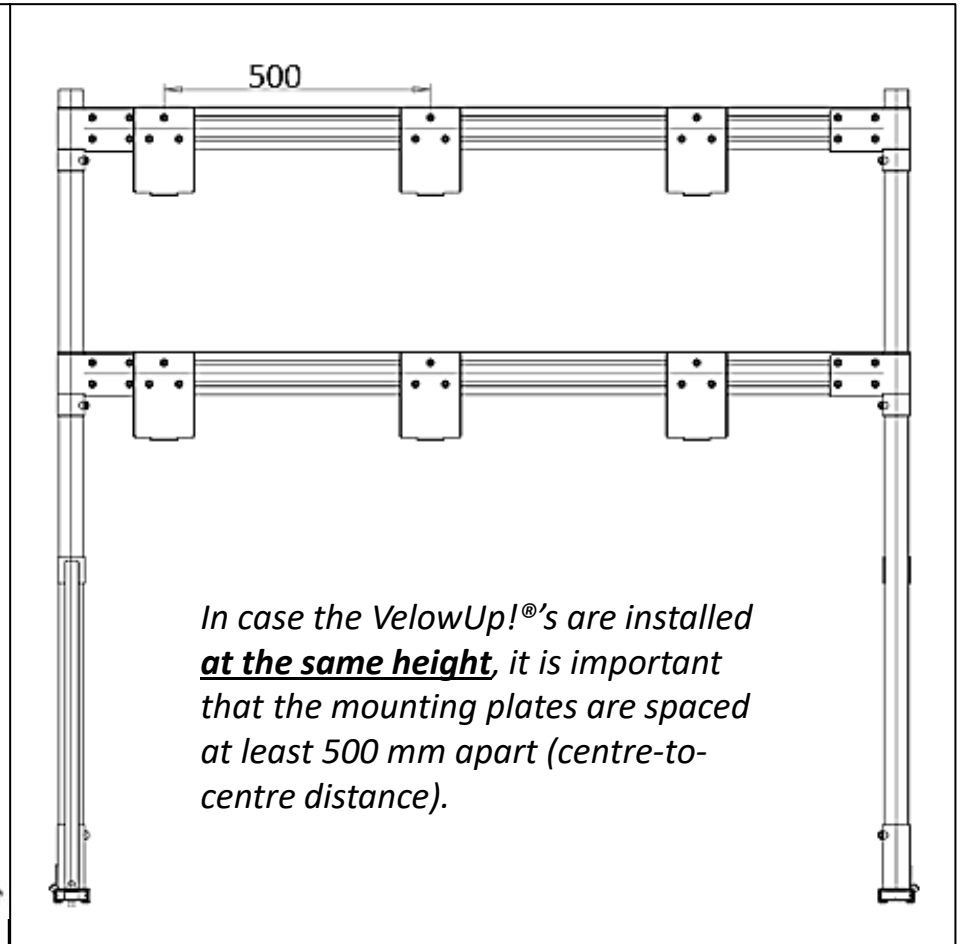
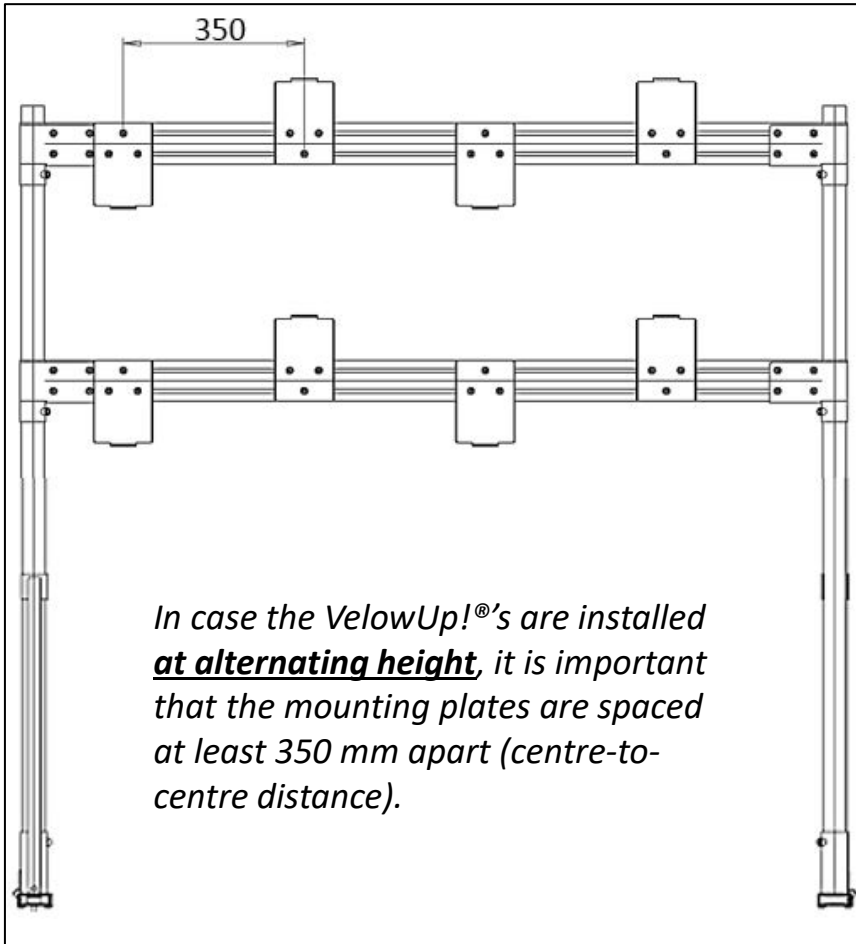
Fixation rack to floor

- Step 1. Position upright at the right position on floor
- Step 2. Drill holes into floor (2 per upright)
- Step 3. Place plastic spacer in horizontal bar
- Step 4. Fill holes with glue/kit/hybride vinylester
- Step 5. Place bolt (with washer) into hole
- Step 6. Tighten nut (when glue has dried)

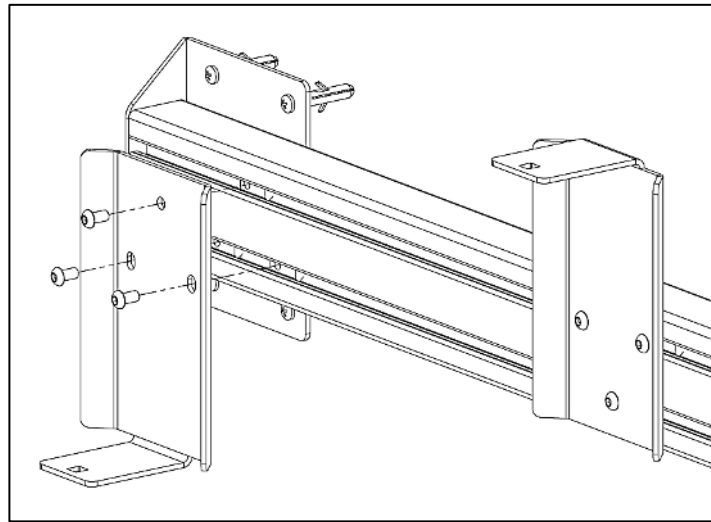
VelowUp![®]

Smart Bicycle Parking

Installation VelowUp![®]'s to rack



Installation VelowUp![®] Aluminium Profile System



Step 1. Place t-nuts into aluminium profile channels (3x t-nuts per mounting plate)

Step 2. Connect mounting plates to profile with bolts

In case the VelowUp![®]'s are installed high/low, position mounting plates alternately upwards and downwards (see above picture)