

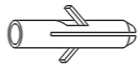
Smart Bicycle Parking

1 Manual/Handleiding/Handbuch/Manuel/Manual

A. 6x Screw



B. 6x Plug



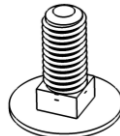
C. Axle



D. 2x Bolt small



E. Bolt Large



F. 2x Washer, plastic



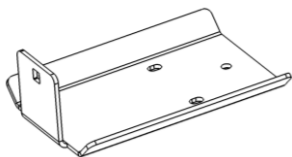
G. x2 Washer, steel



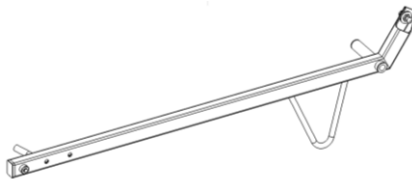
H. x2 Nut



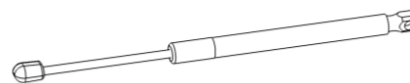
L. Wall mount



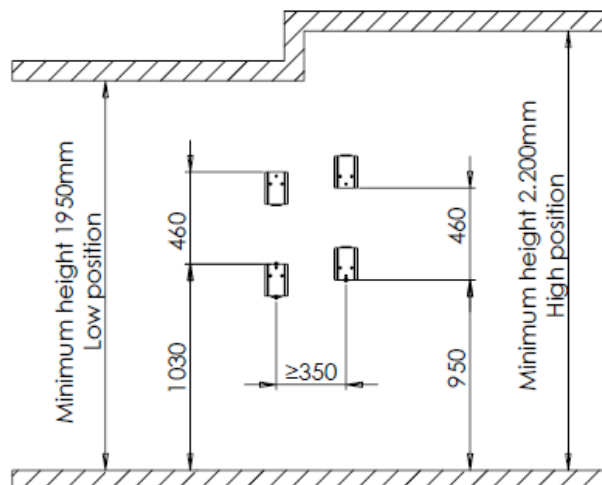
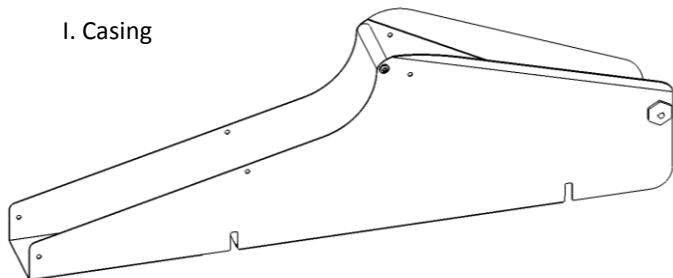
J. Lift arm



K. Gas Spring

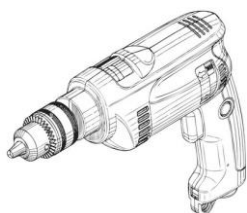


I. Casing



2 Mounting - Wall plates

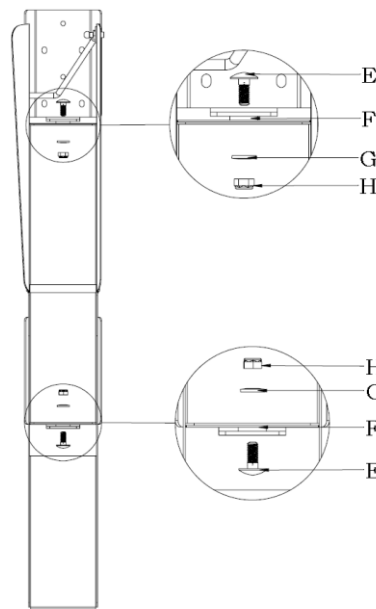
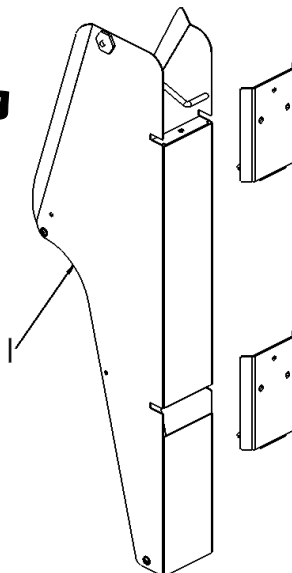
- 6x A.
- 6x B.
- 2x L.



Ø8 mm

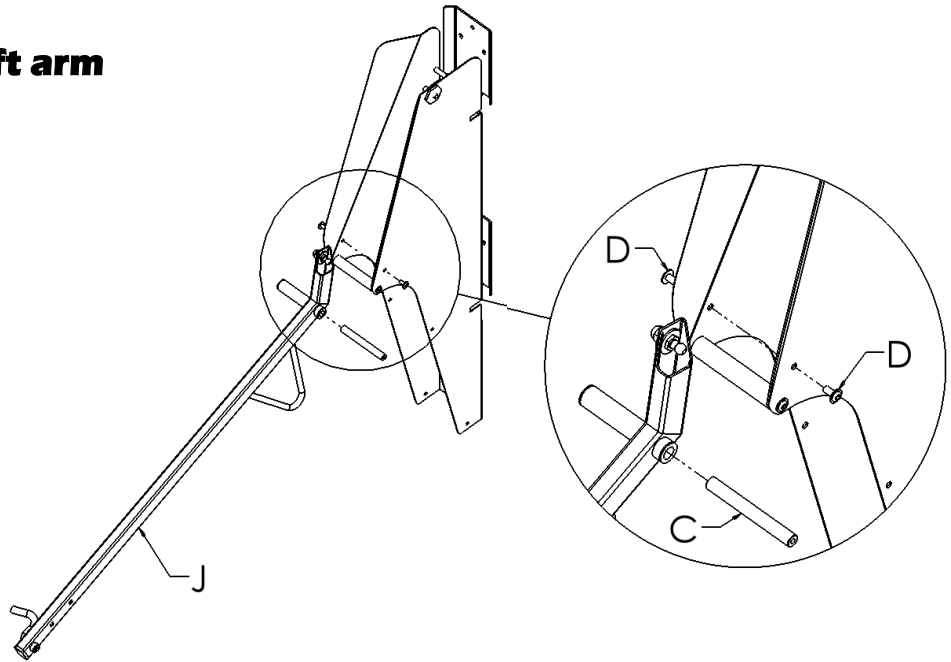
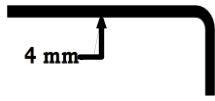
3 Mounting - Casing

- 2x E.
- 2x F.
- 2x G.
- 2x H.
- 1x I.



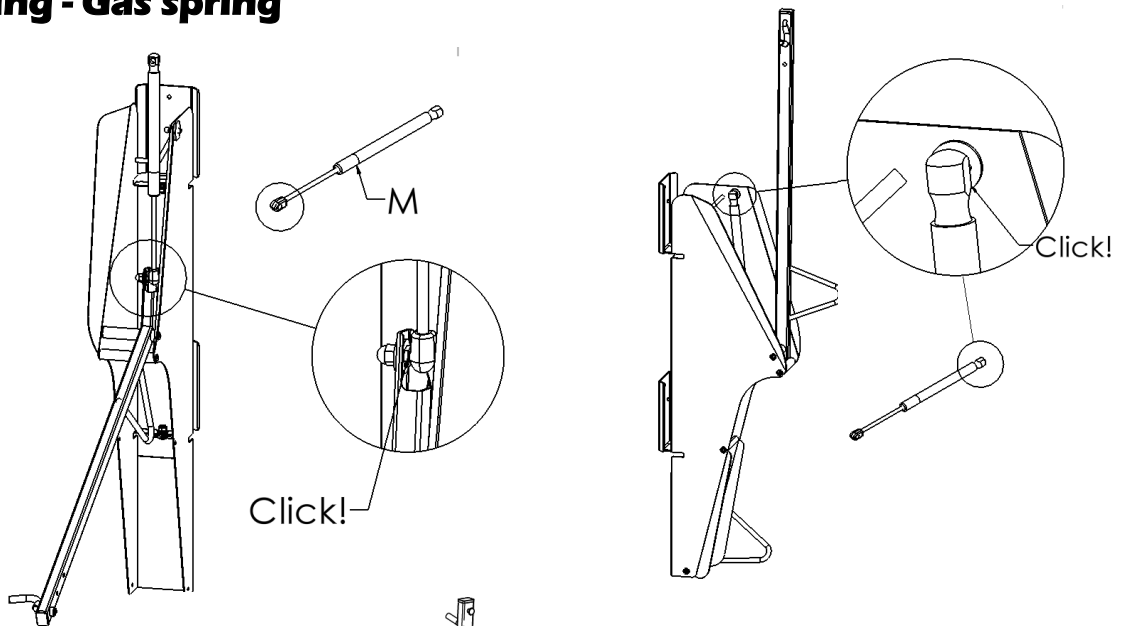
4 Mounting - Lift arm

- 1x C.
- 2x D.
- 1x J.



5 Mounting - Gas spring

- 1x K.



6 Overview

